

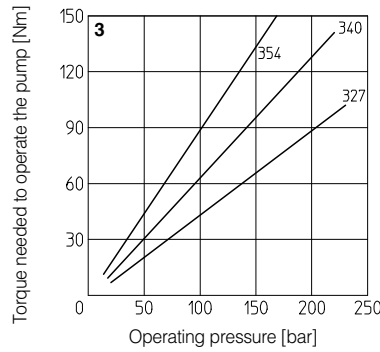
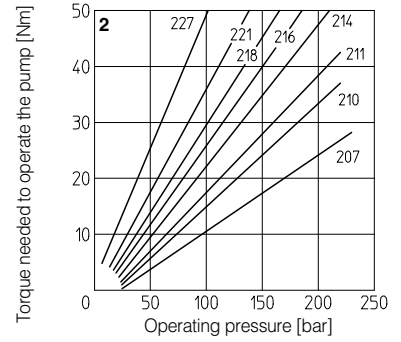
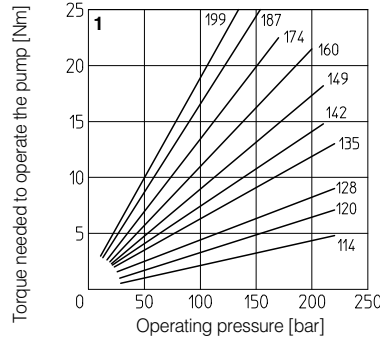
3 MAIN CHARACTERISTICS OF GEAR PUMPS TYPE PFG

Installation position	Any position.		
Loads on the shaft	Axial and radial loads are not allowed on the shaft. The coupling should be sized to absorb the power peak.		
Ambient temperature	from -20°C to +70°C		
Fluid	Hydraulic oil as per DIN 51524...535; for other fluids, consult our technical office		
Recommended viscosity	max at cold start 800 mm ² /s max at full power 100 mm ² /s during operation 24 mm ² /s min at full power 10 mm ² /s		
Fluid contamination class	ISO 19/16 (filters at 25 µm value with β ₂₅ ≥ 75 recommended)		
Fluid temperature	-20°C +60°C	-20°C +50°C (/WG seals)	-20°C +80°C (/PE seals)

4 DIAGRAMS (based on mineral oil ISO VG 46 at 50°C)

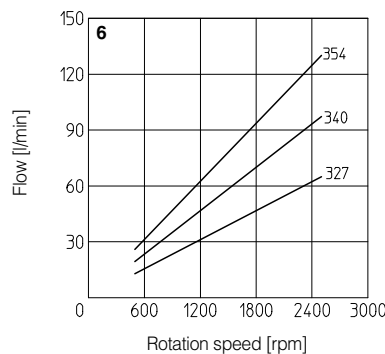
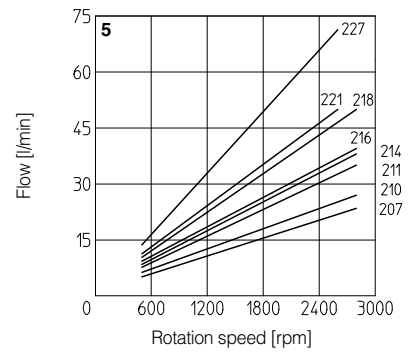
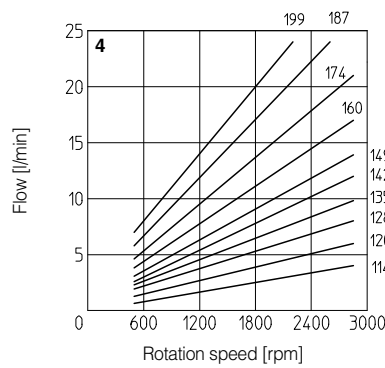
4.1 = Torque versus pressure diagram

- 1 = PFG-1
- 2 = PFG-2
- 3 = PFG-3

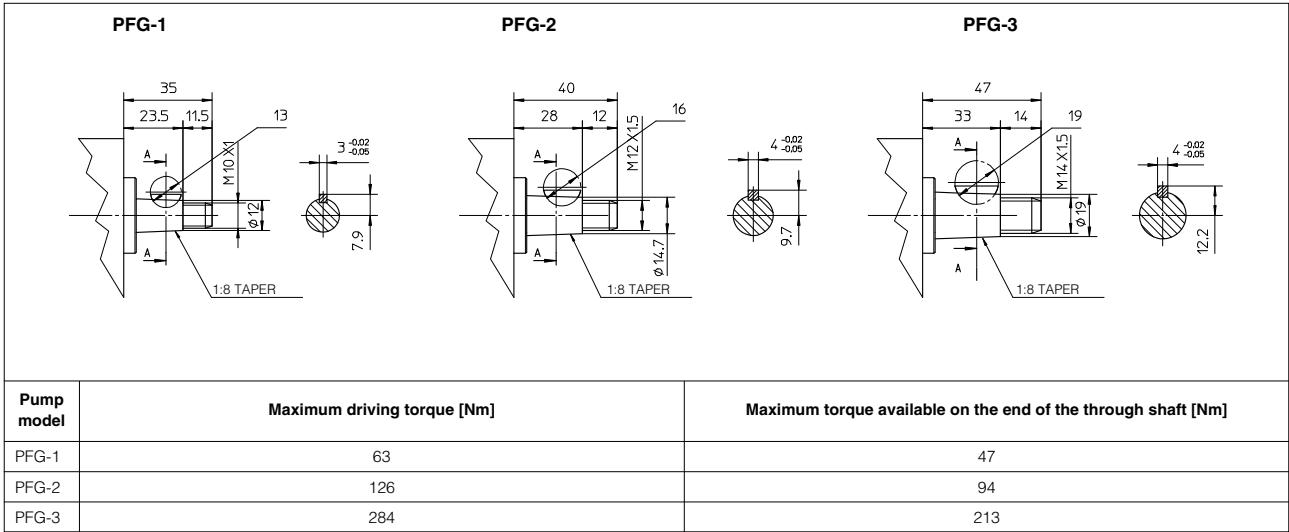


4.2 = Flow versus speed diagram
stated at 7 bar

- 4 = PFG-1
- 5 = PFG-2
- 6 = PFG-3

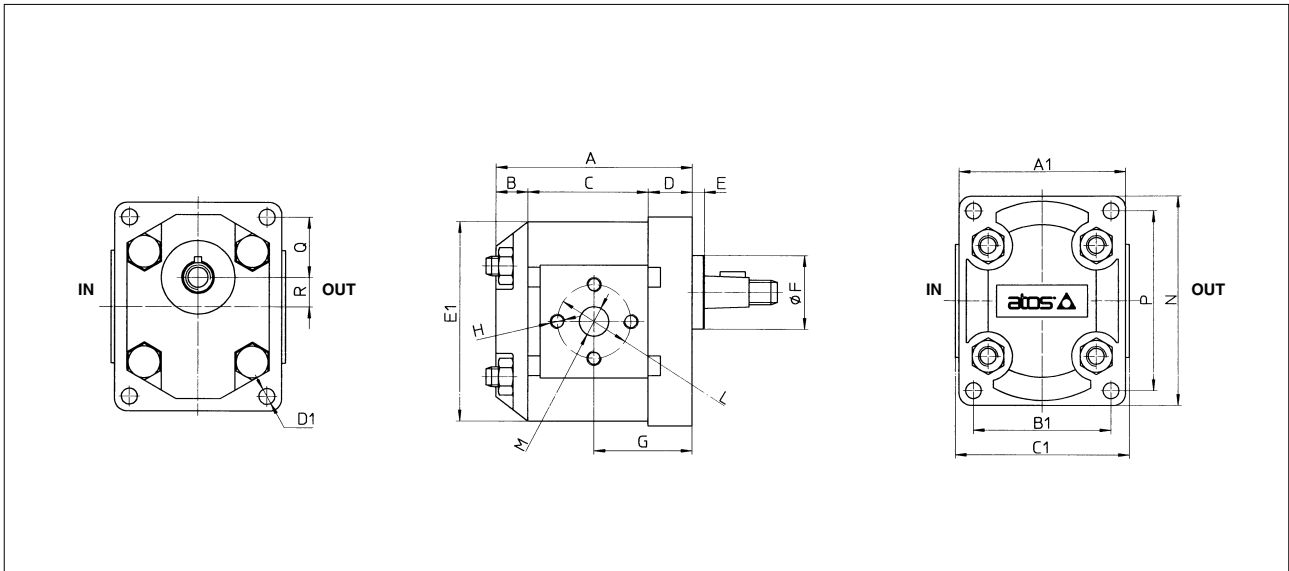


5 DRIVE SHAFT AND LIMITS OF TORQUE



The values of torque needed to operate the pumps are shown for each type of the "torque versus pressure diagram" at section 4.

6 DIMENSIONS [mm]



Elbow adaptors can be supplied with the pump, see www.scoda.it, tab. SK155

Pump model	A	B	C	D	E	ØF	G	H	ØL	ØM	In	Out	N	P	Q	R	A1	B1	C1	ØD1	E1	Mass Kg						
PFG-114	80,5	18	45	17,5	5,5	30 f8	40	M6	30	13	13	86	73	24,5	12	67,5	56	71	6,5	84,5		1,25						
PFG-120	82,5		47				41															1,28						
PFG-128	84,5		49				42															1,32						
PFG-135	86,5		51				43															1,40						
PFG-142	88,5		53				44															1,45						
PFG-149	91,5		56				45,5															1,5						
PFG-160	94,5		59				47															1,58						
PFG-174	98,5		63				49															1,66						
PFG-187	103,5		68				51,5															1,73						
PFG-199	108,5		73				54															1,9						
PFG-207	97,5	21	58	18,5	5	36,5 f8	47,5	M8	40	13	13	112,5	96	32,49	15,5	88	71,5	90	8,5	102		2,6						
PFG-210	101,5		62				49,5															2,69						
PFG-211	104,5		65				51															2,75						
PFG-214	108,5		69				53															2,86						
PFG-216	111,5		72				54,5															2,95						
PFG-218	114,5		75				56			3																		
PFG-221	119,5		80				58,5			3,16																		
PFG-227	132		88				64			3,51																		
PFG-327	133,5		25				85			23,5	5	50,8 f8	66	M10	56	27	19	27	151,5	128	43	22	120,5	98,5	120	11	148	6,35
PFG-340	142,5						94						70,5															6,85
PFG-354	151,5	103		75	7,3																							

